

## MARCEL SF361001

FIXTURE DIMENSIONS	D5-7/8" x H13-1/2"
LAMP TYPE	E26
MAX WATTAGE	60W
BULB QTY	1
BULBS INCLUDED	No
VOLTAGE	120V
GLASS DETAILS	Clear Glass
MATERIAL	Brass; Steel;
LOCATION	Dry
BRAND	Alora

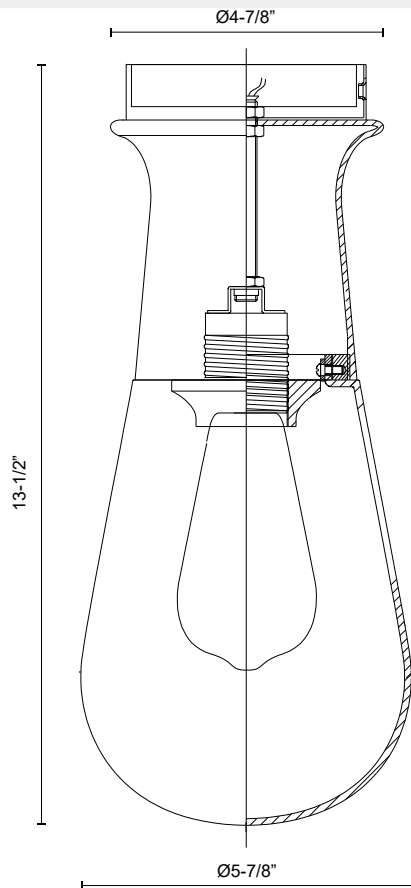
[ D - Diameter, L - Length, W - Width, H - Height, E - Extension ]

### AVAILABLE FINISHES:



SF361001VB  
Vintage Brass

\*For complete warranty terms, please visit: [www.aloralighting.com/warranty](http://www.aloralighting.com/warranty)



WWW.ALORALIGHTING.COM

© 2021 KUZCO LIGHTING. ALL RIGHTS RESERVED.

